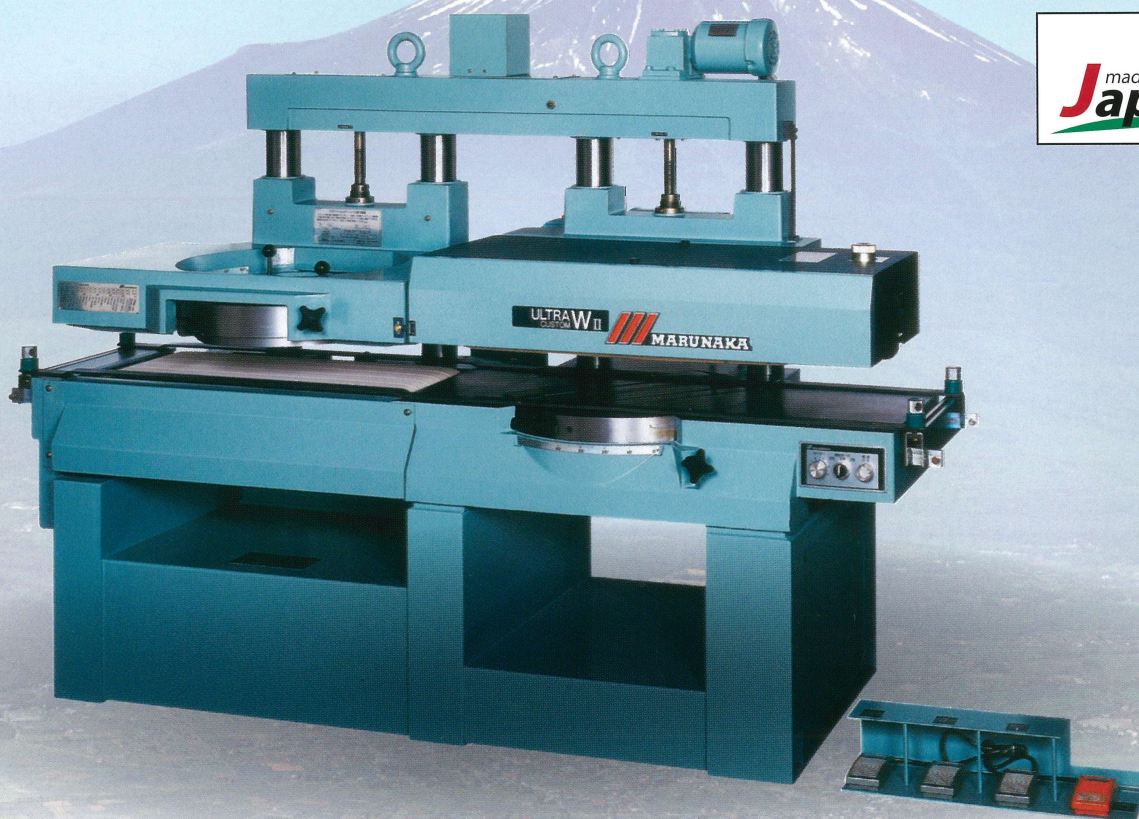




# ULTRA W-II

## DOUBLE SIDED SUPER SURFACER

TOP PLANING AND BOTTOM PLANING AT ONE TIME FEED  
TWO KNIVES ARE SET ON EACH SURFACES



### Features

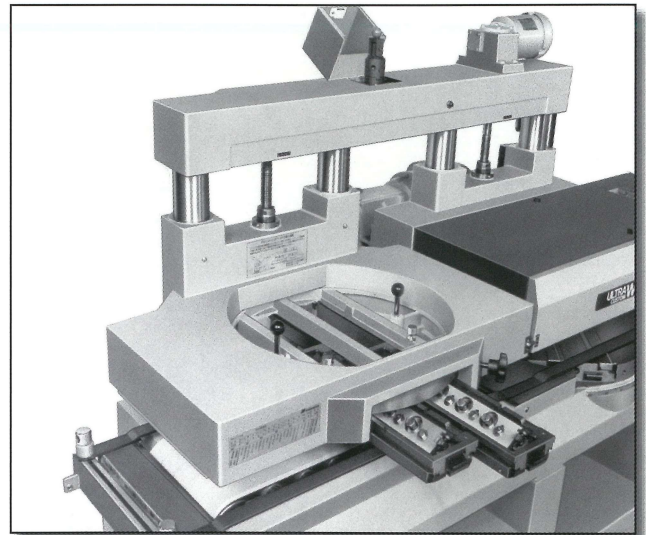
- Combined top planing and bottom planing in most efficient way. Both surfaces can be planed at one feed so planing time can be shortened considerably.
- Two knives are set on each surface, one for rough planing and one for finish planing, therefore able to get ultra smooth finished surface by one feed.
- Able to build into a line and provide high production capacity.
- Variable bias angle system permits to choose the optimum bias angle to obtain the best finishing for the material according to its hardness and moisture content.

For "CUSTOM" model, able to operate by auto return mode.

**Double knives system**  
(for bottom surface)



**Double knife stocks (for top surface)**  
and Head height adjuster clutch



— Specifications —

ULTRA W-II		Standard	Custom
		(One way)	(Auto return)
Type		CD-25ZB1	CD-25YB1
Work size	Max. width	250 mm(25°), 55 mm(60°)	
	Max. Thickness	180 mm	
Knife bias angle		0°~60°variable	
Feed speed (50Hz)		73 m/min	53 m/min
Feed motor		2.2KW, 3Phase x 2motors	
Head up/down motor		0.2KW, 3Phase	
Knife length		335 mm	
Table size	Length	1890 mm	
	Height	650 mm	
Machine size	Width	940 mm	
	Length	1920 mm	2050 mm
	Height	1405 mm	
Machine Net Weight		1080 Kg	1090 Kg



**MARUNAKA TEKKOSHO INC.**

175-1 MARIKOSHINDEN, SURUGA-KU, SHIZUOKA 421-0111 JAPAN  
TEL:+81-54-259-8111 FAX:+81-54-257-0498